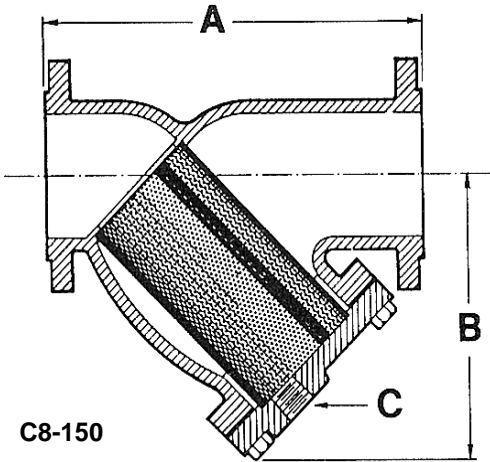


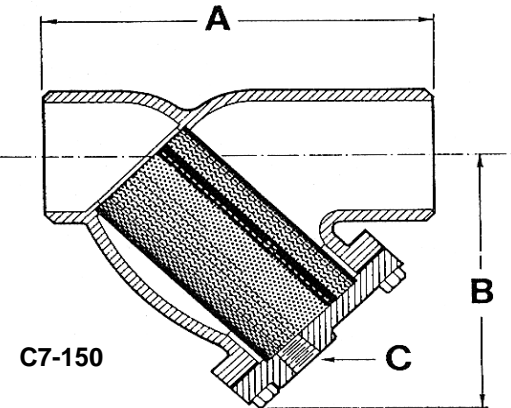
150 LB. CAST CARBON STEEL FLANGED & BUTTWELD "Y" STRAINERS

MODELS: C8-150 & C7-150

| PRESSURE-TEMPERATURE RATINGS | |
|------------------------------|-------------------|
| STEAM: | 150 psi @ 565 ° F |
| WOG: | 285 psi @ 100 ° F |



C8-150



C7-150

DIMENSIONS & WEIGHTS APPROXIMATE
(Apply for certified drawings)

SERVICE RECOMMENDATIONS

These strainers are designed for dependable service under demanding conditions. They offer complete protection to mechanical equipment such as pumps & valves at high temperatures & pressures. Self cleaning is readily accomplished by opening the plug or valve connected to the blow-off outlet (not supplied).

FEATURES

All sizes feature a bolted cover machined to receive the screen. Cover gaskets are designed for high temperature service. Studs are A193-B7 & the nuts are A194-2H hex. Covers are supplied with a NPT blowoff tapping, but without a plug.

SCREENS

Fabrotech supplies sturdy 304 SS screens which are normally furnished in the following perforations:

| | | |
|-----------------|------------------|------------------|
| SERVICE: | 1/2" - 4" | 5" to 14" |
| Steam: | .033" | .045" |
| Liquid : | .062" | 1/8" |

Other materials, such as Monel, Hastelloy C, & Alloy-20 are available. Other perforation sizes and/or mesh lining is also available.

CONSTRUCTION

As a standard, the body is constructed of Carbon Steel ASTM A216 Gr. WCB. Both models are available in Chrome Moly (ASTM A217 Gr. WC6 & WC9). The standard cover is HRS plate. Available in Chrome Moly (WC6 & WC9) & Carbon Moly LCB. The bodies of both the C8-150 & C7-150 are designed to meet 150 lb. ANSI specifications. Model C8-150 has RF flanges per ASME B16.5 and model C7-150 ends are machined to match standard weight pipe. All models have machined seats in the body & cover to ensure accurate screen alignment.

| SIZE | in. | 1/2" | 3/4" | 1" | 1 1/4" | 1 1/2" | 2" | 2 1/2" | 3" | 4" | 5" | 6" | 8" | 10" | 12" | 14" |
|-----------------------|--------|-----------|-----------|-----------|-----------|-----------|-----------|------------|------------|------------|------------|------------|------------|-------------|-------------|-------------|
| | mm | 15 | 20 | 25 | 32 | 40 | 50 | 65 | 80 | 100 | 125 | 150 | 200 | 250 | 300 | 350 |
| A | C8-150 | 5 7/8 | 7 3/8 | 7 3/8 | 7 | 7 1/8 | 7 7/8 | 9 3/4 | 10 1/16 | 12 1/8 | 15 5/8 | 18 1/2 | 21 3/8 | 26 | 29 7/8 | 33 1/4 |
| | C7-150 | 6 5/8 | 8 5/16 | 8 5/16 | 10 1/8 | 10 1/4 | 8 5/8 | 10 5/8 | 12 | 14 1/2 | 16 3/8 | 20 | 23 3/8 | 27 3/8 | 32 | 35 |
| B | C8-150 | 3 1/2 | 3 3/4 | 3 3/4 | 4 3/4 | 4 3/4 | 5 1/4 | 6 1/2 | 7 | 8 1/4 | 11 1/4 | 13 1/2 | 15 1/2 | 18 1/2 | 21 3/4 | 25 |
| | C7-150 | 3 1/2 | 3 3/4 | 3 3/4 | 5 1/4 | 5 1/4 | 5 1/4 | 6 1/2 | 7 | 8 1/4 | 11 1/4 | 13 1/2 | 15 3/4 | 19 | 22 1/4 | 25 |
| C | NPT | 3/8 | 1/2 | 1/2 | 1/2 | 1/2 | 1/2 | 1 | 1 | 1 | 1 1/2 | 2 | 2 | 2 | 2 | 2 |
| WT (lb) | C8-150 | 5 1/2 | 10 1/4 | 10 1/4 | 9 3/4 | 12 1/2 | 18 | 28 | 34 | 58 | 90 | 125 | 220 | 320 | 550 | 980 |
| | C7-150 | 3 | 9 | 9 | 12 | 13 | 10 | 14 | 20 | 40 | 60 | 90 | 168 | 250 | 440 | 765 |
| Clean Cv (gpm) | | 30 | 35 | 40 | 40 | 40 | 70 | 100 | 150 | 250 | 390 | 550 | 900 | 1500 | 2200 | 3100 |

Also available in sizes 16" thru 24"

