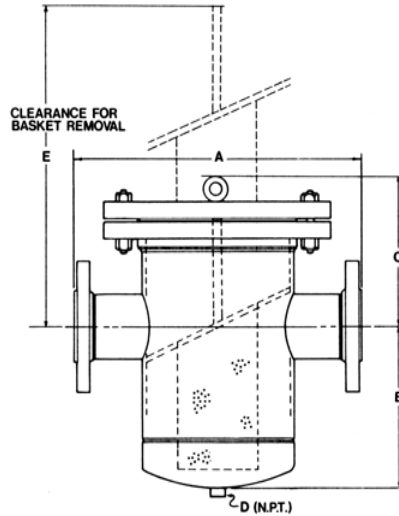


FABRICATED SIMPLEX with BOLTED BLIND

MODEL H: BUTTWELD

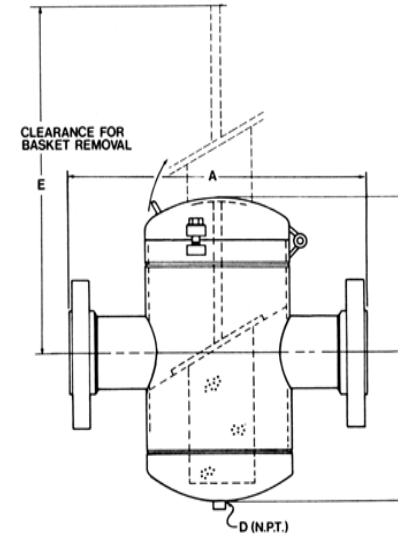
MODEL HF: FLANGED



FABRICATED SIMPLEX with HINGED COVER

MODEL HQ: BUTTWELD

MODEL HFQ: FLANGED



DIMENSIONS (inches)**								NET WEIGHT (lbs.)			
NOM SIZE	A		B	C		D (npt)	E	CLASS 150		CLASS 300	
	Class 150	Class 300		Class 150	Class 300			Cover	Unit	Cover	Unit
4	16	16	14	9 1/2	10 1/4	1	21	45	147	81	219
5	16	17 1/2	15	9 1/2	10 1/4	1	22	45	153	81	237
6	20	21	17	10	10 3/4	1	24	70	203	127	328
8	22	23	21	11	12	1 1/2	28	110	281	184	407
10	32	33	25	12	13	1 1/2	33	170	450	307	710
12	35	36	28	14	15	1 1/2	39	209	644	390	1024
14	37	38	33	15	16	2	45	272	951	492	1397
16	42	43	36	16	17	2	49	411	1409	754	2011
18	42	43	39	17	18 1/2	2	53	411	1486	754	2127
20	43	44 1/2	44	18	19 1/2	2	59	411	1553	754	2231
24	48	49 3/4	60	21	22 1/2	2	78	681	2291	1403	3497

**Supercedes dimensions in Catalog 76-8F-2

DIMENSIONS (inches)**								NET WEIGHT (lbs.)			
NOM SIZE	A		B	C		D (npt)	E	CLASS 150		CLASS 300	
	Class 150	Class 300		Class 150	Class 300			Cover*	Unit	Cover*	Unit
4	16	16	14	10 3/4	10 3/4	1	21	9	122	9	158
5	16	17 1/2	15	11 1/4	11 1/4	1	22	9	128	9	176
6	20	21	17	12	12	1	24	12	168	12	236
8	22	23	21	13 1/4	13 1/4	1 1/2	28	15	226	15	278
10	32	33	25	14 1/2	14 1/2	1 1/2	33	30	360	30	483
12	35	36	28	15 3/4	15 3/4	1 1/2	39	37	535	37	734
14	37	38	33	16 1/2	16 1/2	2	45	46	804	46	1030
16	42	43	36	17 3/4	17 3/4	2	49	68	1188	68	1437
18	42	43	39	19	19	2	53	68	1255	68	1553
20	43	44 1/2	44	21	21	2	59	71	1322	71	1656
24	48	49 3/4	60	22 1/2	22 1/2	2	78	88	1860	88	2344

* Force needed to lift cover in lbs.



Purple Engineering

Australian Distributor:

Phone: +61-1300 62 40 20

Fax: +61-8-6323 0605

Email: Sales@Purple-Eng.com.au

Skype: Purple.Engineering