

Ring Type Joint Orifice Plates (RTJ Orifice Plates)

RTJ Orifice Plates



Product Description

The RTJ type orifice plate incorporates an integral gasket, either oval or octagonal ring, for mounting between ring type joint flanges. It is based on proven technology, has no moving parts and is suitable for high-temperature and high-pressure applications. Orifice plates are recommended for clean liquids, gases and low-velocity steam flows.

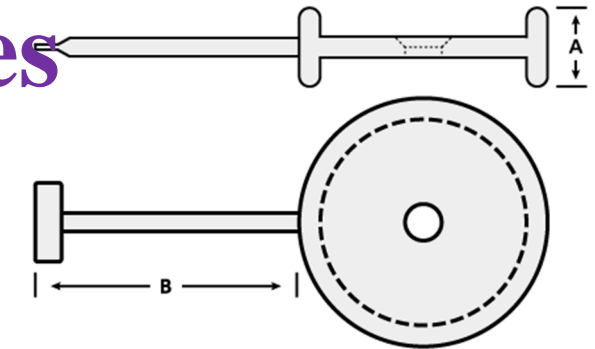
Plate thicknesses depend on line size and differential pressure, and should be sufficient to prevent the plate from bending under operating conditions. Recommended plate thicknesses for flow measurement plates are shown in the RTJ Orifice Sizing Chart. RTJ type orifice plates are machined in one piece with an orifice plate screwed onto a carrier ring/gasket.



RTJ Orifice Plates

RTJ orifice plates are an integral design with the RTJ and plate machined as one piece. Orifice plates are available in all ring sizes and stocked in both 304 and 316 Stainless Steel. Other materials are available on request.

RTJ Orifice Plates



PRPL.com.au	Ring Size				A				B			
Line Size	#300 / #600	#900	#1500	#2500	#300 / #600	#900	#1500	#2500	#300 / #600	#900	#1500	#2500
1/2"	R-11	R-12	R-13	29/32"	1"	1"	1"	4 1/4"	4 1/4"	6 1/2"	6 1/2"	6 1/2"
3/4"	R-13	R-14	R-16	1"								
1"	R-16	R-16	R-18	1"	1 1/16"	1 1/16"	1 1/16"	5 1/4"	5 1/4"	7 1/2"	7 1/2"	7 1/2"
1 1/2"	R-20	R-20	R-23	1 1/16"								
2"	R-23	R-24	R-26	1 1/16"	1 1/16"	1 1/16"	1 3/16"	6 1/4"	6 1/4"	8 1/2"	8 1/2"	8 1/2"
2 1/2"	R-26	R-27	R-28									
3"	R-31	R-35	R-32	1 1/16"	1 1/16"	1 1/16"	1 3/16"	7 1/4"	7 1/4"	9 1/2"	9 1/2"	9 1/2"
3 1/2"	R-34	-	-									
4"	R-37	R-39	R-38	1 1/16"	1 1/16"	1 1/16"	1 5/16"	7 1/2"	7 1/2"	9 1/2"	9 1/2"	9 1/2"
5"	R-41	R-44	R-42									
6"	R-45	R-46	R-47	1 1/16"	1 1/16"	1 1/16"	1 7/16"	7 1/2"	7 1/2"	9 1/2"	9 1/2"	9 1/2"
8"	R-49	R-50	R-51									
10"	R-53	R-54	R-55	1 3/16"	1 3/16"	1 3/16"	2"	7 1/2"	7 1/2"	9 1/2"	9 1/2"	9 1/2"
12"	R-57	R-58	R-60									
14"	R-61	R-62	R-63	1 3/16"	1 3/16"	1 3/16"	2 1/8"	7 1/2"	7 1/2"	9 1/2"	9 1/2"	9 1/2"
16"	R-65	R-66	R-67									
18"	R-69	R-70	R-71	1 1/4"	1 1/4"	1 1/4"	2 1/8"	7 1/2"	7 1/2"	9 1/2"	9 1/2"	9 1/2"
20"	R-73	R-74	R-75									
24"	R-77	R-78	R-79	1 7/16"	1 7/8"	2 5/16"	-	9 1/2"	9 1/2"	-	-	-