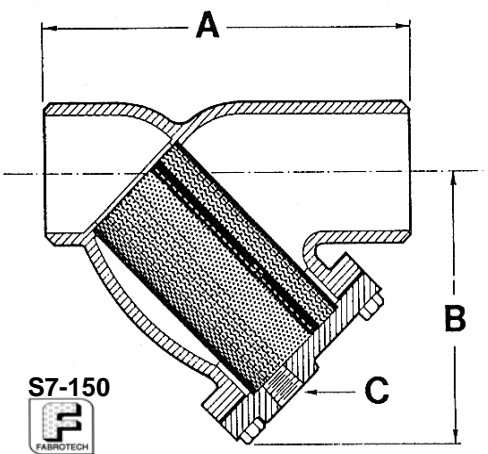
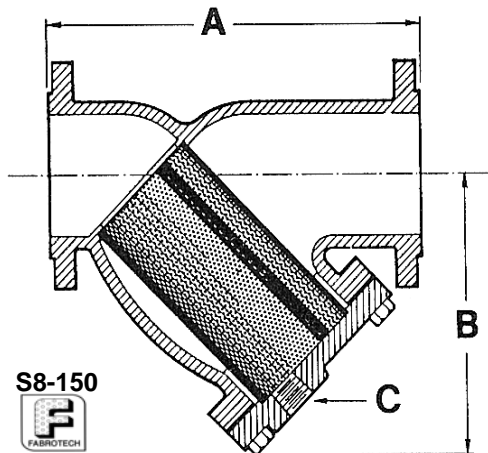


150# CAST 316 STAINLESS STEEL FLANGED & BUTTWELD "Y" STRAINERS

MODELS: S8-150 & S7-150

PRESSURE-TEMPERATURE RATINGS (B16.5)	
STEAM:	150 psi @ 565o F
WOG:	275 psi @ 100o F



DIMENSIONS & WEIGHTS APPROXIMATE
(Apply for certified drawings)

SERVICE RECOMMENDATIONS

These strainers are designed for dependable service under demanding conditions. They offer complete protection to mechanical equipment such as pumps & valves under corrosive conditions. Self cleaning is easily accomplished by opening the plug or valve connected to the blow-off outlet (not supplied).

FEATURES

All sizes feature a bolted cover machined to receive the screen. SS spiral wound gaskets are designed for high temperature and/or corrosive service. Studs are A193B7 & the nuts are A194-2H hex. Covers are furnished with a blowoff tapping, but without a plug.

SCREENS

Fabrotech supplies sturdy 304 SS screens which are normally furnished in the following perforations:

SERVICE:	1/2" - 4"	5" to 14"
Steam:	.033"	.045"
Liquid :	.062"	1/8"

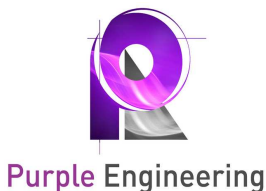
Other materials, such as Monel, Hastelloy C, & Alloy-20 are available. Other perforation sizes and/or mesh lining is also available.

CONSTRUCTION

As a standard, the body is constructed of Stainless Steel ASTM A351 Gr. CF8M. Both models are available in Alloy 20, Monel & Hastelloy C castings. The bodies of both the S8-150 & S7-150 are designed to meet 150 lb. ANSI specifications. Model S8-150 has RF flanges per ASME B16.5 and model S7-150 ends are machined to match standard weight pipe. All models have machined seats in the body & cover to ensure accurate screen alignment. Each unit is individually hydrostatically tested.

SIZE	in.	1/2"	3/4"	1"	1 1/4"	1 1/2"	2"	2 1/2"	3"	4"	5"	6"	8"	10"	12"	14"
	mm	15	20	25	32	40	50	65	80	100	125	150	200	250	300	350
A	S8-150	6 1/2	7 3/8	7 3/8	7	7 1/8	7 7/8	9 3/4	10 1/16	12 1/8	15 5/8	18 1/2	21 3/8	26	29 7/8	36
	S7-150	6 5/8	8 5/16	8 5/16	10 1/8	10 1/4	8 5/8	10 5/8	12	14 1/2	16 3/8	20	23 3/8	27 3/8	32	36
B	S8-150	3 1/2	3 3/4	3 3/4	4 3/4	4 3/4	5 1/4	6 1/2	7	8 1/4	11 1/4	13 1/2	15 1/2	18 1/2	21 3/4	25
	S7-150	3 1/2	3 3/4	3 3/4	5 1/4	5 1/4	5 1/4	6 1/2	7	8 1/4	11 1/4	13 1/2	15 3/4	19	22 1/4	25
C	NPT	3/8	1/2	1/2	1/2	1/2	1/2	1	1	1	1 1/2	2	2	2	2	2
WT (lb)	C8-150	5 1/2	10 1/4	10 1/4	9 3/4	12 1/2	18	28	34	58	90	125	220	320	550	980
	C7-150	3	9	9	12	13	10	14	20	40	60	90	168	250	440	815
Clean Cv (gpm)		30	35	40	40	40	70	100	150	250	390	550	900	1500	2200	3100

Also available in sizes 16" thru 24"



Australian Distributor:

Phone: +61-1300 62 40 20
 Fax: +61-8-6323 0605
 Email: Sales@Purple-Eng.com.au
 Skype: Purple.Engineering