

## Engineering Specification

Job Name \_\_\_\_\_

Contractor \_\_\_\_\_

Job Location \_\_\_\_\_

Approval \_\_\_\_\_

Engineer \_\_\_\_\_

Contractor's P.O. No. \_\_\_\_\_

Approval \_\_\_\_\_

Representative \_\_\_\_\_

# Cast Carbon or Stainless Steel Screwed Ends Simplex Basket Strainers

**Models: 125CS & 125SS, Class 150**  
**Sizes: 3/8"– 3" (10 – 80mm)**

Strainers provide economical protection for costly pumps, meters, valves, and other similar mechanical equipment by straining foreign matter from the connected piping system. Installation of a strainer before mechanical equipment can ensure trouble free service and avoid costly shutdowns for repair or replacement of equipment damaged by foreign matter. The size of the perforation or mesh in the basket screen will determine the smallest particles captured. See Strainer Information section in the Mueller Steam Specialty Engineering binder for detailed information including sizes and materials available.

### Typical Service

- These strainers can be specified for many applications in chemical processes, including brine, paint, fuel oil, organic and inorganic chemicals, as well as condensers and heat exchangers, and more.

### Features

- Designed for large capacity straining and ease of maintenance.
- Cover is secured with quick-opening knobs to minimize service time.
- O-ring seals on both the cover and baskets can usually be re-used after service, no need to clean gasket residue and replace costly gaskets.
- Machined basket seat eliminates particle bypass.

### Construction

- Standard cover has O-ring seal and quick release knob fasteners — 200psi rating
- Bolted cover available, consult factory — 275/285psi rating
- Swing clamp covers are available, consult factory
- Plugged NPT connection is provided at location D. See next page.

Mueller Steam Specialty product specifications in U.S. customary units and metric are approximate and are provided for reference only. For precise measurements, please contact Mueller Steam Specialty Technical Service. Mueller Steam Specialty reserves the right to change or modify product design, construction, specifications, or materials without prior notice and without incurring any obligation to make such changes and modifications on Mueller Steam Specialty products previously or subsequently sold.



**Model 125CS**

### Pressure/Temperature–Non-Shock

Model	Material	Rating Bolted Cover
125-CS	Carbon Steel	285psi @ -20°F to 100°F, 19.65 bar @ 37.78°C 150psi @ 565°F, 10.34 bar @ 296.11°C
125-SS	Stainless Steel	275psi @ -20°F to 100°F, 18.96 bar @ 37.78°C 150psi @ 565°F, 10.34 bar @ 296.11°C

Max. temp. can be limited by O-ring material. Consult factory. All units with knob type closure are rated 200psi.

### Capacity

- Minimum 6 to 1 ratio

### Special Coatings and Treatments

- Epoxy and other corrosion resistant coatings are available on Carbon Steel, consult factory.
- Pickling and passivation are available on Stainless Steel, consult factory.

### Steam Jacketing

- Available on request, consult factory.

### NOTICE

The information contained herein is not intended to replace the full product installation and safety information available or the experience of a trained product installer. You are required to thoroughly read all installation instructions and product safety information before beginning the installation of this product.

**STRAINER**  
Purple Engineering

**Mueller Steam Specialty™**

**A WATTS Brand**

## Baskets

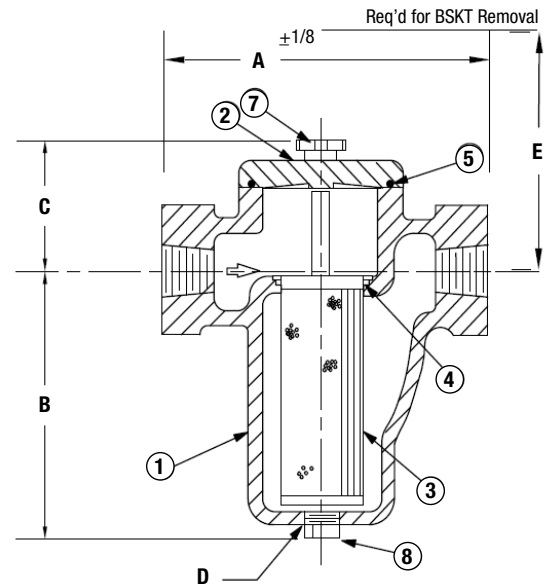
STANDARD (Water)		STEAM RECOMMENDATION			
MODEL	SIZES	MATERIAL	OPENING	MATERIAL	OPENING
125-CS	3/8" - 3"	304SS	.062 perf	304SS	.045 perf
125-SS	3/8" - 3"	304SS	.062 perf	304SS	.045 perf

## Materials

PART	CARBON STEEL	STAINLESS STEEL
1 Body	Carbon Steel ASTM A216 Gr. WCB	Stainless Steel ASTM A351 CF8M
2 Cover	Carbon Steel ASTM A216 Gr. WCB	Stainless Steel ASTM A351 CF8M
3 Basket	Stainless Steel 304	Stainless Steel 304
4 Basket Gasket	SS Tanged Graphite	SS Tanged Graphite
5 Cover Gasket	SS Tanged Graphite	SS Tanged Graphite
6 Studs	A193-B7	A193-B8M
7 Nuts	A-194-2H	A194-B8
8 Plug	Carbon Steel	Stainless Steel

## Pressure Drop

See Pressure Drop Charts in Technical Data section of Mueller Steam Specialty Engineering binder.



### Model 125

\*\*"B" dimension includes the floor supports on 4" size and larger.

## Dimensions and Weights

SIZE		DIMENSIONS								WEIGHT			
		A		B		C		D(NPT)		E		Carbon Steel & SS	
in.	mm	in.	mm	in.	mm	in.	mm	in.	mm	in.	mm	lbs.	kgs.
3/8	10	4 5/16	116	4	102	2 1/2	64	3/8	10	4 13/16	106	4.8	2.1
1/2	15	4 9/16	116	4	102	2 1/2	64	3/8	10	4 13/16	106	4.8	2.1
3/4	20	4 9/16	116	4	102	2 1/2	64	3/8	10	4 13/16	106	5	2.2
1	25	5 5/16	135	4 1/16	119	2 3/4	70	3/8	10	5 7/8	149	6.5	2.9
1 1/4	32	6 5/16	160	6 1/2	165	3	76	1/2	13	8 1/8	206	11.5	5.2
1 1/2	40	6 5/16	160	6 1/2	165	3	76	1/2	13	8 1/8	206	11.5	5.2
2	50	8 1/4	210	7 7/8	200	3 5/8	92	3/4	20	10 5/8	257	22.8	10
2 1/2	65	9 5/8	244	8 3/4	222	4	102	1	25	11 7/16	590	33.8	15
3	80	11 1/4	286	11 3/8	289	4 1/2	114	1	25	14 13/16	376	51	23

**Limited Warranty:** Mueller Steam Specialty warrants each product to be free from defects in material and workmanship under normal usage for a period of one year from the date of original shipment. In the event of such defects within the warranty period, the Company will, at its option, replace or recondition the product without charge. This shall constitute the sole and exclusive remedy for breach of warranty, and the Company shall not be responsible for any incidental, special or consequential damages, including without limitation, lost profits or the cost of repairing or replacing other property which is damaged if this product does not work properly, other costs resulting from labor charges, delays, vandalism, negligence, fouling caused by foreign material, damage from adverse water conditions, chemical, or any other circumstances over which the Company has no control. This warranty shall be invalidated by any abuse, misuse, misapplication or improper installation of the product. **THIS WARRANTY IS IN LIEU OF ALL OTHER WARRANTIES, EXPRESS OR IMPLIED, INCLUDING ANY IMPLIED WARRANTIES OF MERCHANTABILITY OR FITNESS FOR A PARTICULAR PURPOSE.** Any implied warranties that are imposed by law are limited in duration to one year.

Some States do not allow limitations on how long an implied warranty lasts, and some States do not allow the exclusion or limitation of incidental or consequential damages. Therefore the above limitations may not apply to you. This Limited Warranty gives you specific legal rights, and you may have other rights that vary from State to State. You should consult applicable state laws to determine your rights.



A WATTS Brand

