

## Engineering Specification

Job Name \_\_\_\_\_

Contractor \_\_\_\_\_

Job Location \_\_\_\_\_

Approval \_\_\_\_\_

Engineer \_\_\_\_\_

Contractor's P.O. No. \_\_\_\_\_

Approval \_\_\_\_\_

Representative \_\_\_\_\_

# Fabricated Flanged End Basket Strainers

**Model: 185FAB-Q, Class 150**  
**Sizes: 2" – 24" (50 – 600mm)**

### Typical Service

- Mueller Steam Specialty fabricated strainers are designed to remove foreign particles from pipelines.
- These provide effective and economical protection of pumps, valves and similar more costly equipment.

### Construction

- Butt-weld or Slip-on Flange connections
- Special design pressures and temperatures, corrosion allowances, marking and tagging and codes should be specified.
- ASME code stamp available

### Baskets

- Standard material is 304SS.
- Specify other alloy material if required.
- Specify perforation and mesh size for proper particle retention.
- Consider maximum allowable pressure drop when specifying.

### General

- See S-MS-ScreenOptions in the Mueller Steam Specialty Engineering binder for a partial listing of available options and specification guidelines. "B" signifies a bolted cover; "Q" signifies a quick opening cover.
- Consult factory for specific application information.



**Model 185FAB-Q**

**185FAB-Q**

**Class 150**

### NOTICE

The information contained herein is not intended to replace the full product installation and safety information available or the experience of a trained product installer. You are required to thoroughly read all installation instructions and product safety information before beginning the installation of this product.

Mueller Steam Specialty product specifications in U.S. customary units and metric are approximate and are provided for reference only. For precise measurements, please contact Mueller Steam Specialty Technical Service. Mueller Steam Specialty reserves the right to change or modify product design, construction, specifications, or materials without prior notice and without incurring any obligation to make such changes and modifications on Mueller Steam Specialty products previously or subsequently sold.

 **STRAINER**  
Purple Engineering

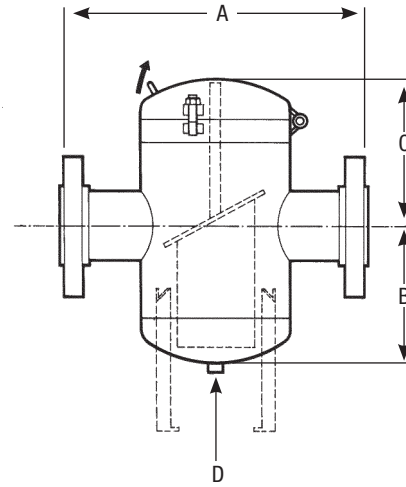
 **Mueller Steam Specialty™**

**A WATTS Brand**

## Dimensions and Weights

SIZE		DIMENSIONS						WEIGHTS			
		A		B		C		D (NPT)		CLASS 150	
in.	mm	in.	mm	in.	mm	in.	mm	in.	mm	lbs.	kgs.
4	100	26	660	10	254	8	203	1½	40	200	91
6	150	28	711	15	381	10	254	1½	40	325	147
8	200	30	762	20	508	14	356	1½	40	525	238
10	250	32	813	22	559	16	406	1½	40	690	313
12	300	34	864	26	660	16	406	2	50	1000	454
14	350	40	1016	28	711	18	457	2	50	1200	544
16	400	44	1118	30	762	20	508	2	50	1650	748
18	450	44	1118	36	914	22	559	2	50	1750	794
20	500	44	1118	40	1016	24	610	2	50	1850	839
24	600	50	1270	49	1245	29	737	2	50	3125	1418

Apply for Certified Drawings.  
Larger sizes available. Consult Factory.



**Model 185FAB-Q**

**Limited Warranty:** Mueller Steam Specialty warrants each product to be free from defects in material and workmanship under normal usage for a period of one year from the date of original shipment. In the event of such defects within the warranty period, the Company will, at its option, replace or recondition the product without charge. This shall constitute the sole and exclusive remedy for breach of warranty, and the Company shall not be responsible for any incidental, special or consequential damages, including without limitation, lost profits or the cost of repairing or replacing other property which is damaged if this product does not work properly, other costs resulting from labor charges, delays, vandalism, negligence, fouling caused by foreign material, damage from adverse water conditions, chemical, or any other circumstances over which the Company has no control. This warranty shall be invalidated by any abuse, misuse, misapplication or improper installation of the product. **THIS WARRANTY IS IN LIEU OF ALL OTHER WARRANTIES, EXPRESS OR IMPLIED, INCLUDING ANY IMPLIED WARRANTIES OF MERCHANTABILITY OR FITNESS FOR A PARTICULAR PURPOSE.** Any implied warranties that are imposed by law are limited in duration to one year.

Some States do not allow limitations on how long an implied warranty lasts, and some States do not allow the exclusion or limitation of incidental or consequential damages. Therefore the above limitations may not apply to you. This Limited Warranty gives you specific legal rights, and you may have other rights that vary from State to State. You should consult applicable state laws to determine your rights.



**A WATTS Brand**