

Engineering Specification

Job Name _____

Contractor _____

Job Location _____

Approval _____

Engineer _____

Contractor's P.O. No. _____

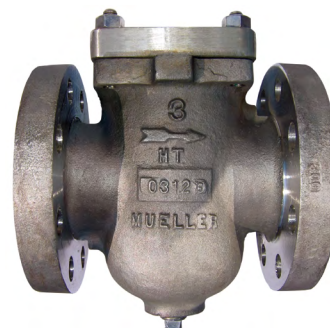
Approval _____

Representative _____

LEAD FREE*

Cast Stainless Steel Flanged End Basket Strainers

185SS, Class 150
186SS, Class 300



Model 185SS, 186SS

Typical Service

- These rugged strainers can be specified for many applications in chemical processes, including brine, paint, fuel oil, organic and inorganic chemicals, as well as condensers and heat exchangers, to name just a few.
- They are especially suited for medium or coarse straining. For finer straining, see Model 125F-SS or 126F-SS.

Features

- The angular cutaway design of the baskets allows a straight through flow, resulting in extremely low pressure drop.
- Tapped and plugged NPT drain on the strainer bottom enables easy self-cleaning on open bottom baskets. Simply open the valve or plug on the outlet to flush accumulated particles.
- Bodies can be tapped for pressure gauges, or per customer requirement, consult factory.

Construction

- Cover is a flanged bolted design for easy basket removal.

Capacity

- Large bodies and generous sized baskets
- Minimum 6 to 1 ratio.

Special Coatings and Treatments

- Pickling and passivation are available, consult factory.

Steam Jacketing

Available on request, consult factory

NOTICE

The information contained herein is not intended to replace the full product installation and safety information available or the experience of a trained product installer. You are required to thoroughly read all installation instructions and product safety information before beginning the installation of this product.

Mueller Steam Specialty product specifications in U.S. customary units and metric are approximate and are provided for reference only. For precise measurements, please contact Mueller Steam Specialty Technical Service. Mueller Steam Specialty reserves the right to change or modify product design, construction, specifications, or materials without prior notice and without incurring any obligation to make such changes and modifications on Mueller Steam Specialty products previously or subsequently sold.

Call customer service if you need assistance with technical details.

PRESSURE/TEMPERATURE–NON-SHOCK

Model	Material	Rating
185SS	Stainless Steel	275psi @ -20°F to 100°F 18.96 bar @ 37.78°C 150psi @ 565°F 10.34 bar @ 296.11°C
186SS	Stainless Steel	720psi @ -20°F to 100°F 49.64 bar @ 37.78°C 420psi @ 850°F 27.23 bar @ 454.44°C

Note:

Maximum temperature can be limited by gasket material. Consult factory.

Baskets

Model	Sizes	Standard (Water)		Steam Recommendation	
		Material	Opening	Material	Opening
185-SS/186-SS	1 ½" - 4"	304SS	.062 perf	304SS	.045 perf
185-SS/186-SS	5" and Up	304SS	.125 perf	Consult Factory	

Note:

The wetted surface of this product contacted by consumable water contains less than 0.25% of lead by weight.



A WATTS Brand

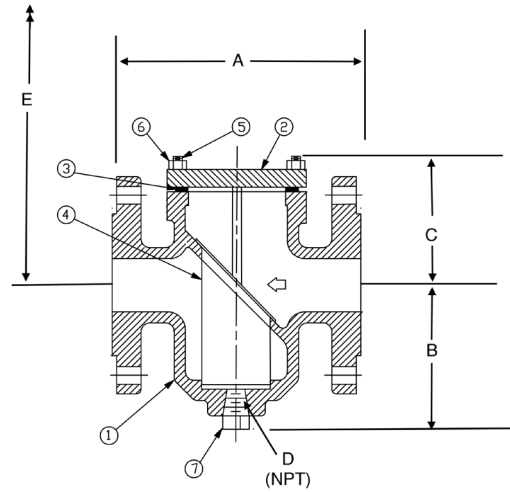
Materials

Bill of Material Models 185SS, 186SS		
Item	Description	Material
1	Body	Stainless Steel ASTM A351 Grade CF8M
2	Cover**	Stainless Steel ASTM A351 Grade CF8M
3	Cover Gasket	316 Filled Graphoil
4	Basket	304 SS
5	Studs	ASTM A193 B8M
6	Nuts	ASTM A194 8M
7	Plug	ASTM A351 CF8M

Note: ** Cover may be manufactured from equivalent grade plate material.

Pressure Drop

See Pressure Drop Charts in Technical Data section of the Mueller Steam Specialty Engineering binder. Cv values are noted in the Dimensions and Weights table below.



Models 185SS, 186SS

Dimensions and Weights

Size	Dimensions								Weight		Cv		
	A		B		C		D (NPT)		E Screen Removal			lbs.	kgs.
in.	in.	mm	in.	mm	in.	mm	in.	mm	in.	mm			GPM
185SS													
1½	6½	165	4½	105	4	102	½	15	10"	254	23	10.4	43
2	8½	216	5½	149	4¾	121	½	15	12½"	318	34	15.4	45
2½	8	203	5⅞	138	4¼	108	¾	20	12½"	318	34	15.4	85
3	8¾	222	5¼	133	5½	140	¾	20	12½"	318	46	20	140
4	11⅜	284	7⅞	200	6	152	1	25	16½"	419	70	31	290
5	12¼	311	10¼	260	5⅝	143	1	25	16½"	419	108	49	500
6	13⅞	352	12½	318	5⅜	148	1¼	32	19"	483	168	76	800
8	17⅞	441	15⅞	384	8	203	1½	40	26"	660	234	106	1,600
10	22	549	16	406	10⅝	264	1½	40	30½"	775	402	182	3,200
12	25	635	23¾	603	12⅝	314	2	50	-	-	692	314	5,000
14	47⅞	1197	34⅞	873	20⅜	513	2	50	68¼"	1734	CF	CF	7,500
16	47⅞	1197	34⅞	873	20⅜	513	2	50	68¼"	1734	CF	CF	9,500
18	34	864	36	914	16¼	413	2	50	56"	1422	CF	CF	13,500
20	36¾	934	40⅞	1038	17	432	2	50	61"	1549	CF	CF	17,500
186SS													
1½	7	178	4½	105	4	102	½	15	10"	254	23.3	11.6	43
2	8½	216	5½	149	4¾	121	½	15	12½"	318	34.3	15.5	45
2½	8⅜	221	5⅞	138	4¼	108	¾	20	12½"	318	39.8	17	85
3	9⅞	243	5¼	133	5½	140	¾	20	12½"	318	54	24	140
4	11¼	298	7⅞	200	6	152	1	25	16½"	419	86	39	290
5	13⅞	333	10¼	260	5⅝	143	1	25	16½"	419	121	55	500
6	14¾	375	12½	318	5⅜	148	1¼	32	19"	483	196	89	800
8	18⅞	460	15⅞	384	8	203	1½	40	26"	660	292	132	1,600
10	22⅞	581	16	406	10⅝	264	1½	40	30½"	775	460	209	3,200
12	25⅞	645	23¾	603	12⅝	314	2	50	-	-	790	359	5,000
14	47⅞	1197	34⅞	873	20⅜	513	2	50	68¼"	1734	CF	CF	7,500
16	47⅞	1197	34⅞	873	20⅜	513	2	50	68¼"	1734	CF	CF	9,500
18	35⅞	905	36	914	16¼	413	2	50	56"	1422	CF	CF	13,500
20	38⅞	975	40⅞	1038	17	432	2	50	61"	1549	CF	CF	17,500

Note:

Apply for Certified Drawings.

Larger sizes available.

CF=Consult Factory



A WATTS Brand

