

For OEM Applications

Job Name _____
 Job Location _____
 Engineer _____
 Approval _____

Contractor _____
 Approval _____
 Contractor's P.O. No. _____
 Representative _____

LEAD FREE*

Series P777
Plastic Wye-Pattern Strainers

Sizes: 1/4" – 3/8"

Series P777 Plastic Wye-Pattern Strainers are designed to ensure protection to mechanical equipment from the destructive effects of dirt, scale and foreign objects. These 45° wye-pattern strainers are for OEM applications where space requirements are limited.

Features

- Very compact
- Corrosion-resistant
- O-ring sealed, quick clean out plug
- Standard 100 mesh stainless steel screen
- Optional screens available, consult local Watts Agent

Specifications

A plastic wye-pattern strainer shall be installed to protect mechanical equipment from dirt, scale and foreign objects where indicated on the plans. Strainer shall be corrosion-resistant and compact. Strainer shall be manufactured out of NSF approved plastic and come standard with 100 mesh stainless steel screen. Strainer shall be a Watts Series P777.

Pressure

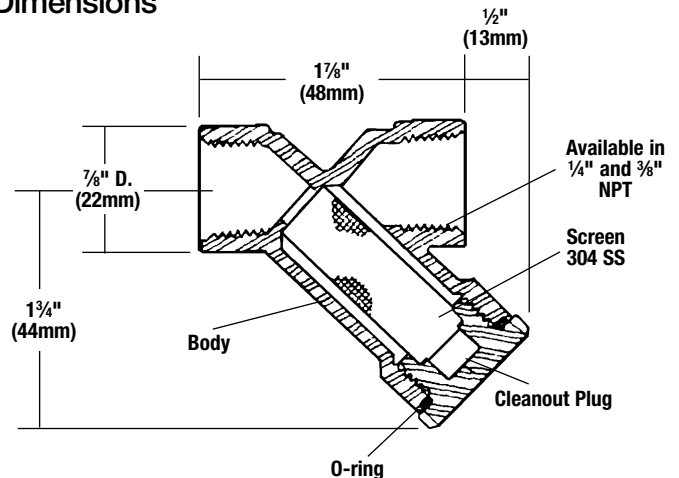
Maximum Working Pressure: 300psi (21 bar) CWP

Materials

Body: NSF approved, glass-filled, Noryl® plastic
 Cleanout Plug: NSF approved glass filled Noryl® plastic
 Screen: 304 stainless steel
 O-ring: Buna-N



Dimensions



NOTICE

The information contained herein is not intended to replace the full product installation and safety information available or the experience of a trained product installer. You are required to thoroughly read all installation instructions and product safety information before beginning the installation of this product.

NOTICE

Inquire with governing authorities for local installation requirements

***The wetted surface of this product contacted by consumable water contains less than 0.25% of lead by weight.**

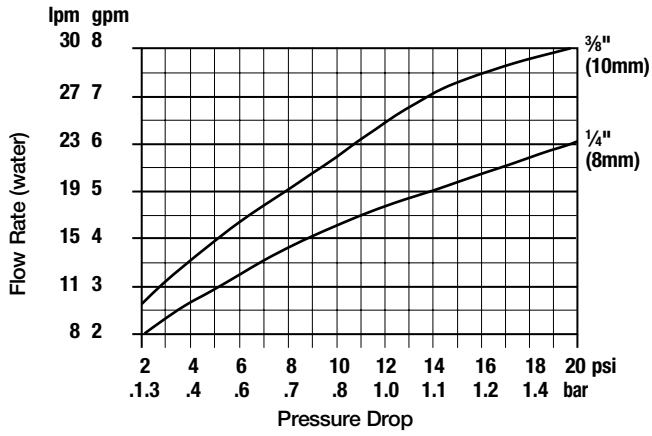
Noryl® is registered trademark of SABIC Innovative Plastics™.

Watts product specifications in U.S. customary units and metric are approximate and are provided for reference only. For precise measurements, please contact Watts Technical Service. Watts reserves the right to change or modify product design, construction, specifications, or materials without prior notice and without incurring any obligation to make such changes and modifications on Watts products previously or subsequently sold.



Performance

Flow rates using standard 100 mesh screen



MODEL	*MICRONIC RETENTION	MESH	WIRE Ø (IN.)	WIDTH OPENING (IN.)	% OPEN AREA
P777-40	400	40	.010	.016	36.0
P777-60	230	60	.0075	.009	30.5
P777-80	180	80	.0055	.007	31.4
†P777-100	140	100	.0045	.0055	30.3

*Average particle retention for round particles.

†Standard 100 mesh screen.

